

TOPSTART 0.5-4 KW

The TopStart is an electric coolant engine heater with an integrated pump for midsize engines.

BENEFITS

- Even distribution of heat to eliminate cold spots
- Reduces time to reach operating temperatures and full load acceptance
- Reduces engine wear
- Integrated pump and heater body

APPLICATIONS

- Gensets
- Large equipment



Specifications

Heating Unit

- Die cast aluminum body
- PA66 electrical cover and supports base
- 4.9 ft (150 cm) power cable
- Heating element made of Incoloy 800

Circulating Pump

- Glandless circulation pump
- Flow rate: 1.6 to 2m³/h to 3m height manometer (7 to 8.8 gpm at 4.7 PSI)

Regulating Thermostat

- 32-176°F (0-80°C)

Safety Thermostat

- Safety thermostat with manual reset rated 25A (230°F/110°C)

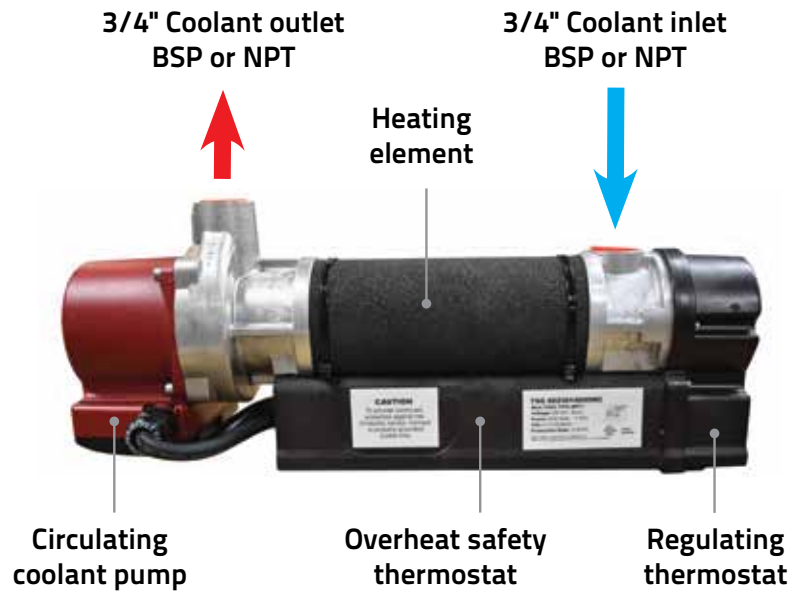
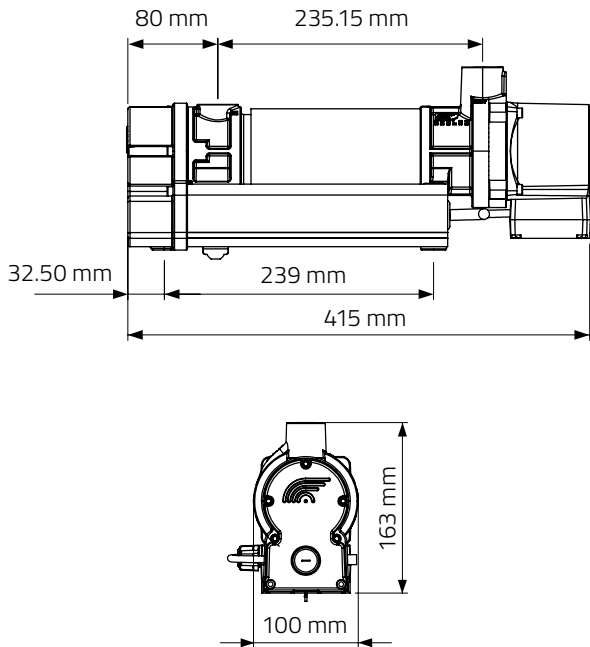
Available Power

- 0.5-4 kW
- 120, 208, 230, 240 V
- 50 or 60 Hz

PHILLIPS & TEMRO
industries[®]

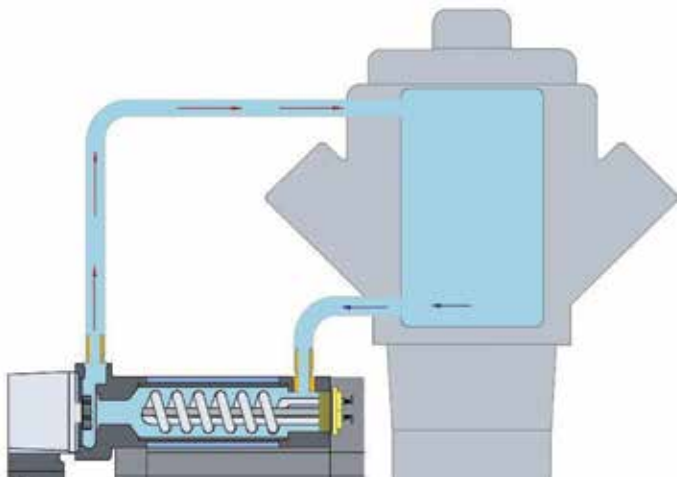
phillipsandtemro.com

TOPSTART 0.5-4 KW



DELIVERED WITH CONNECTION KIT AND MOUNTING KIT

INSTALLATION DIAGRAM



CONNECTION KIT



3/4" BSP or NPT

MOUNTING KIT



Rue du Roua 70
4141 Sprimont, Belgium
Phone number: +32 4 384 01 97
saleseu@phillipsandtemro.com

LIT0184P 0319 ©2019 Phillips & Temro Industries

PHILLIPS & TEMRO
industries[®]

phillipsandtemro.com

TOPSTART 0.5-4 KW

PARTS LIST: UL LISTED

Part Number	Hertz	Volts	Phase	Watts	Regulating Thermostat	Safety Thermostat	Control Box	Plug Type	Certifications
3301004	60	120	1	2000	32-176°F (0-80°C)	230°F (110°C) with manual reset	No	NEMA L5-30	UL
3301109	60	208	1	2500	32-176°F (0-80°C)	230°F (110°C) with manual reset	No	NEMA 6-15	UL
3301009	60	208	1	2500	32-176°F (0-80°C)	230°F (110°C) with manual reset	No	NEMA 6-15	UL
3301010	60	208	1	3000	32-176°F (0-80°C)	230°F (110°C) with manual reset	No	NEMA 6-20	UL
3301110	60	208	1	3000	32-176°F (0-80°C)	230°F (110°C) with manual reset	No	NEMA 6-20	UL
3301011	60	208	1	4000	32-176°F (0-80°C)	230°F (110°C) with manual reset	Yes	Hard wire	UL
3301019	60	240	1	2720	32-176°F (0-80°C)	230°F (110°C) with manual reset	No	NEMA 6-15	UL
3301020	60	240	1	3270	32-176°F (0-80°C)	230°F (110°C) with manual reset	No	NEMA 6-20	UL
3301046	60	480	1	4000	32-176°F (0-80°C)	230°F (110°C) with manual reset	Yes	Hard wire	UL
3301050	60	480	3	4000	32-176°F (0-80°C)	230°F (110°C) with manual reset	Yes	Hard wire	UL

TOPSTART 0.5-4 KW

PARTS LIST: CE CERTIFIED

Part Number	Hertz	Volts	Phase	Watts	Regulating Thermostat	Safety Thermostat	Control Box	Plug Type	Certifications
TSG 601201 500MC	50-60	120	1	500	0-80°C (32-176°F)	110°C (230°F) with manual reset	No	CEE 7/7	CE
TSG 6012011000MC	50-60	120	1	1000	0-80°C (32-176°F)	110°C (230°F) with manual reset	No	CEE 7/7	CE
TSG 6012011350MC	50-60	120	1	1350	0-80°C (32-176°F)	110°C (230°F) with manual reset	No	CEE 7/7	CE
TSG 6012011500MC	50-60	120	1	1500	0-80°C (32-176°F)	110°C (230°F) with manual reset	No	CEE 7/7	CE
TSG 6012012000MC	50-60	120	1	2000	0-80°C (32-176°F)	110°C (230°F) with manual reset	No	Hard wire	CE
TSW 5020811000MC	50-60	208	1	1000	0-80°C (32-176°F)	110°C (230°F) with manual reset	No	CEE 7/7	CE
TSW 5020812000MC	50-60	208	1	2000	0-80°C (32-176°F)	110°C (230°F) with manual reset	No	CEE 7/7	CE
TSW 5020813000MC	50-60	208	1	3000	0-80°C (32-176°F)	110°C (230°F) with manual reset	No	CEE 7/7	CE
TSW 502301 500MC	50-60	230	1	500	0-80°C (32-176°F)	110°C (230°F) with manual reset	No	CEE 7/7	CE
TSW 5023011000MC	50-60	230	1	1000	0-80°C (32-176°F)	110°C (230°F) with manual reset	No	CEE 7/7	CE
TSW 5023011350MC	50-60	230	1	1350	0-80°C (32-176°F)	110°C (230°F) with manual reset	No	CEE 7/7	CE
TSW 5023011500MC	50-60	230	1	1500	0-80°C (32-176°F)	110°C (230°F) with manual reset	No	CEE 7/7	CE
TSW 5023012000MC	50-60	230	1	2000	0-80°C (32-176°F)	110°C (230°F) with manual reset	No	CEE 7/7	CE
TSW 5023012500MC	50-60	230	1	2500	0-80°C (32-176°F)	110°C (230°F) with manual reset	No	CEE 7/7	CE
TSW 5023013000MC	50-60	230	1	3000	0-80°C (32-176°F)	110°C (230°F) with manual reset	No	CEE 7/7	CE
TSW 5023014000MC	50-60	230	1	4000	0-80°C (32-176°F)	110°C (230°F) with manual reset	No	Hard wire	CE

Rue du Roua 70
4141 Sprimont, Belgium
Phone number: +32 4 384 01 97
saleseu@phillipsandtemro.com

LIT0184P 0319 ©2019 Phillips & Temro Industries

PHILLIPS & TEMRO
industries[®]

phillipsandtemro.com